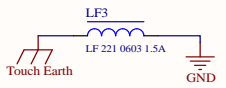
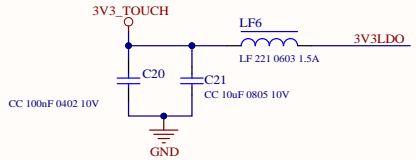
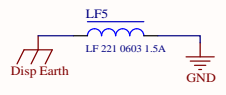
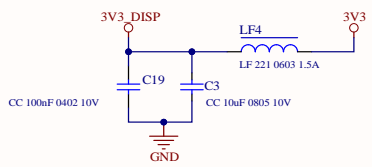
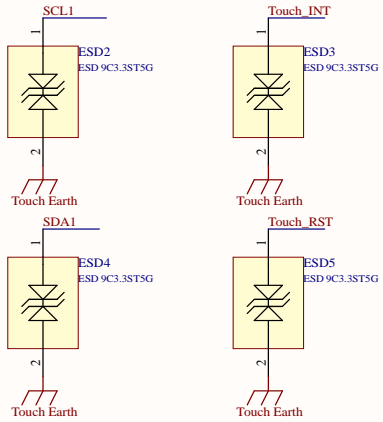
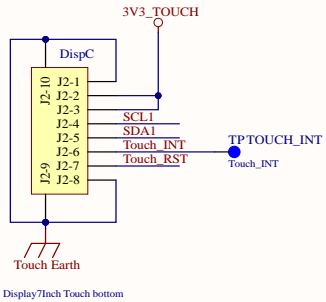
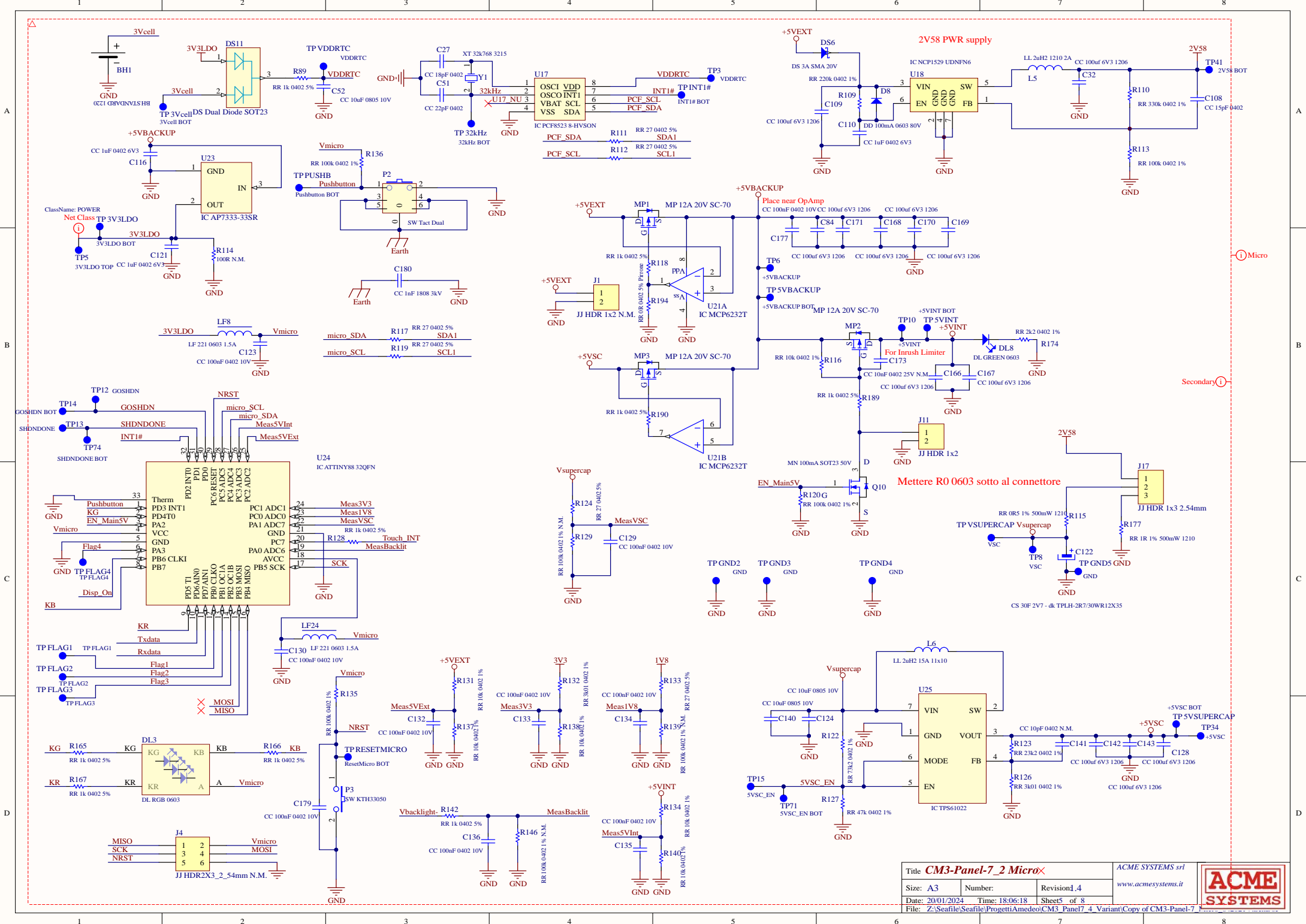


questa resistenza (R4) dovrebbe in teoria evitare che il display alla accensione con tiny spento dia un primo lampeggio fino a quando il tiny prende il controllo

PWM >= 1kHz
Backlight OFF @ 75% duty cycle
Backlight FULL @ 0% duty cycle

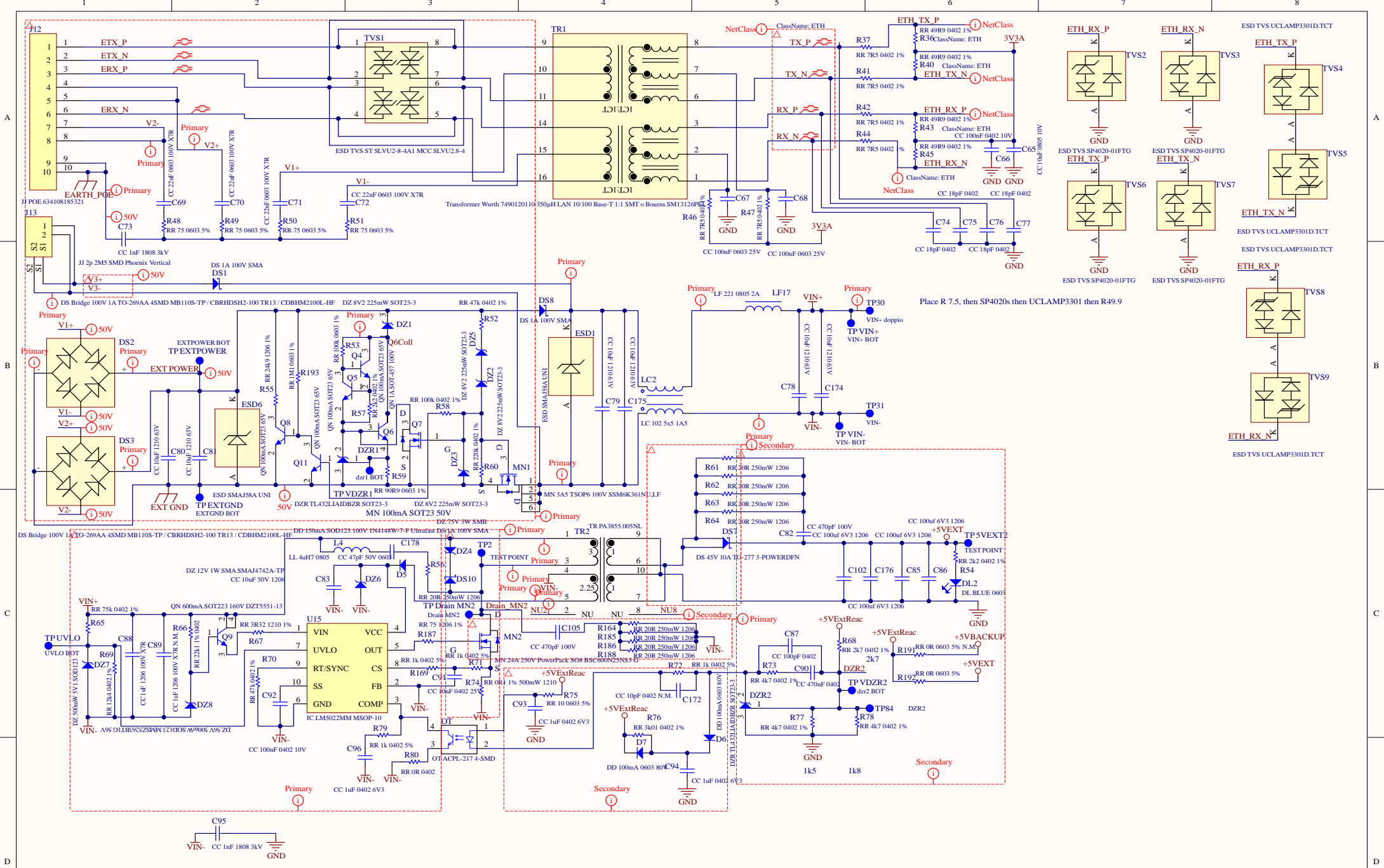
$$1.25V / 7.50\Omega = 166mA$$





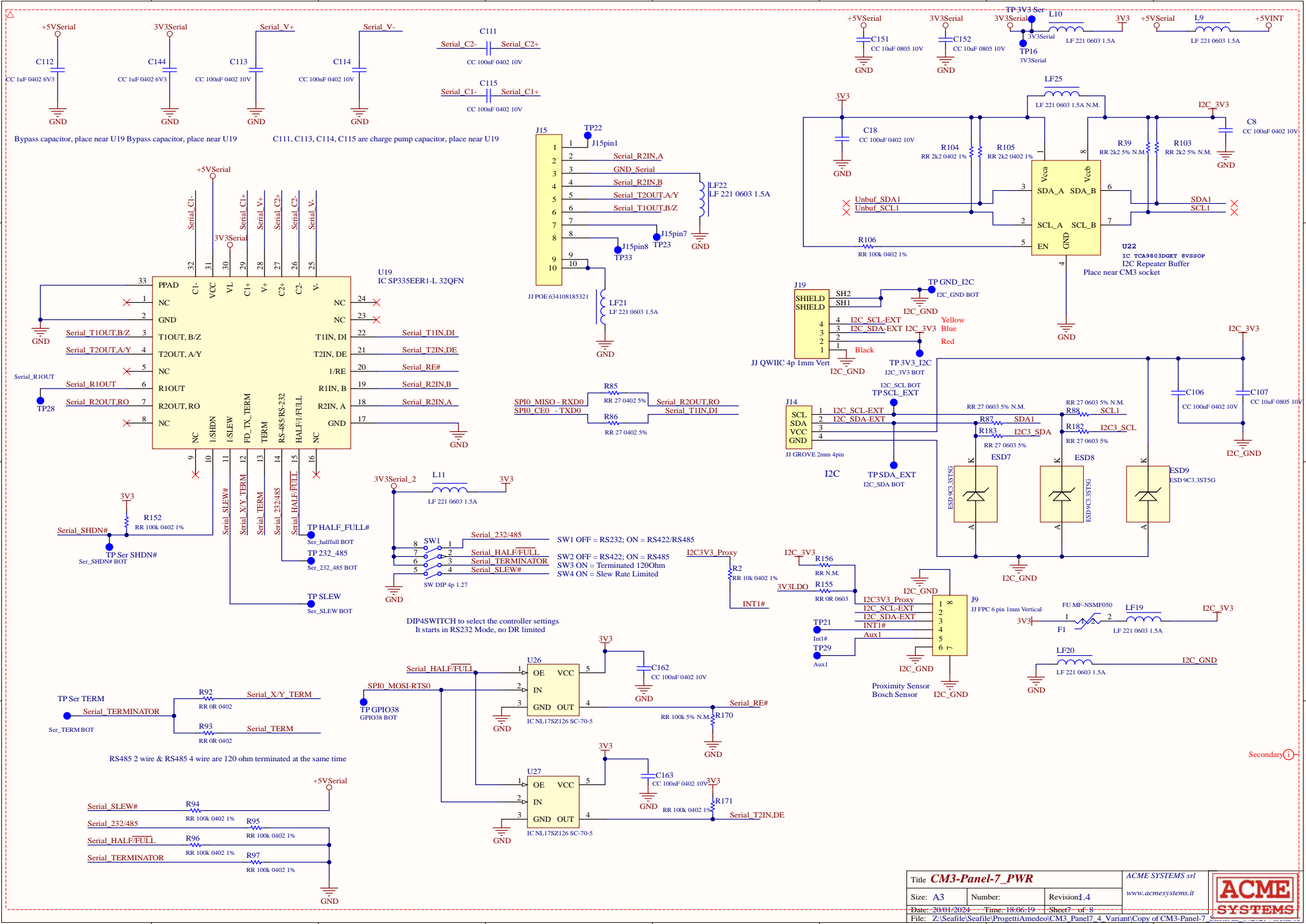
Title CM3-Panel-7_2 Micro		ACME SYSTEMS srl	
Size: A3	Number:	Revision: 4	www.acmesystems.it
Date: 20/01/2024	Time: 18:06:18	Sheet: 4 of 8	
File: Z:\Seafile\Seafile\Progetti\Amedeo\CM3_Panel7_4_Variant\COPY of CM3-Panel-7_2			

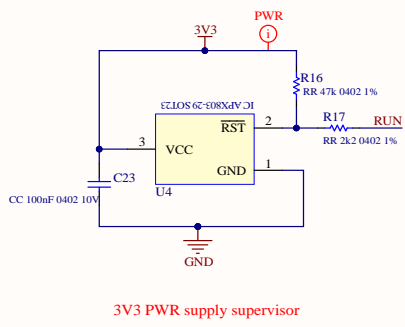
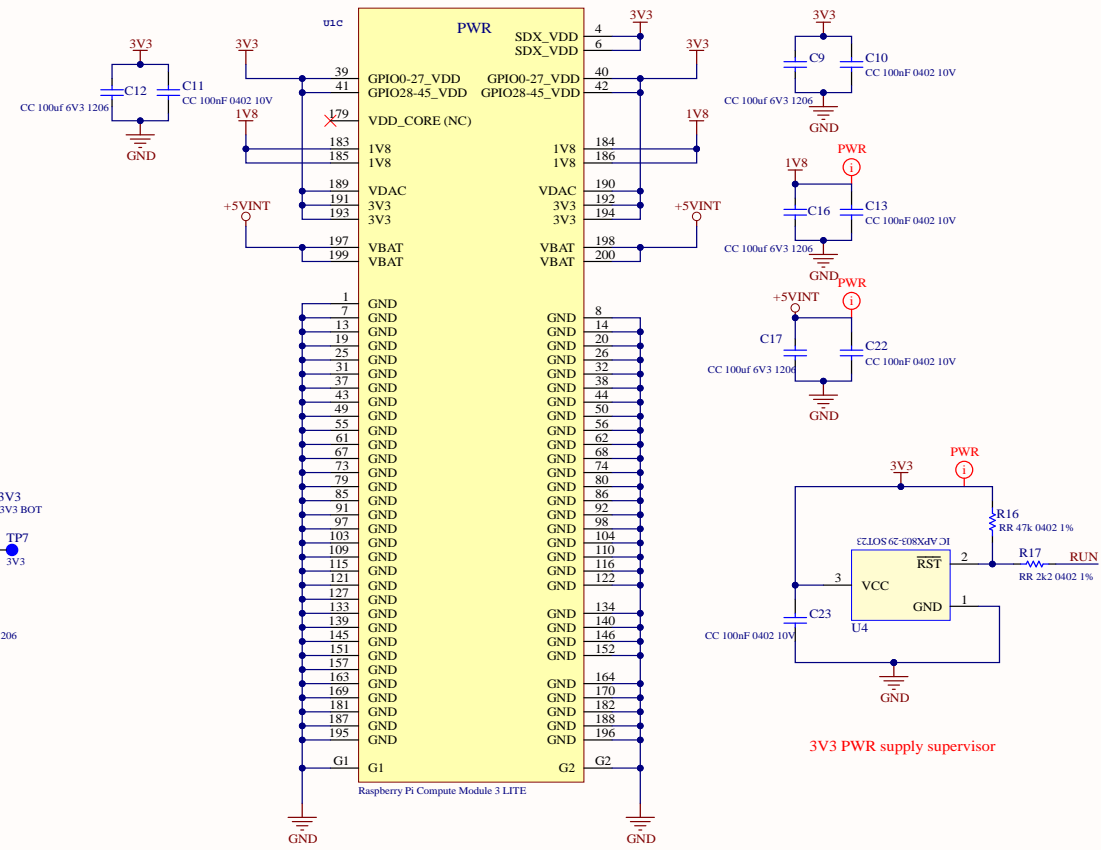
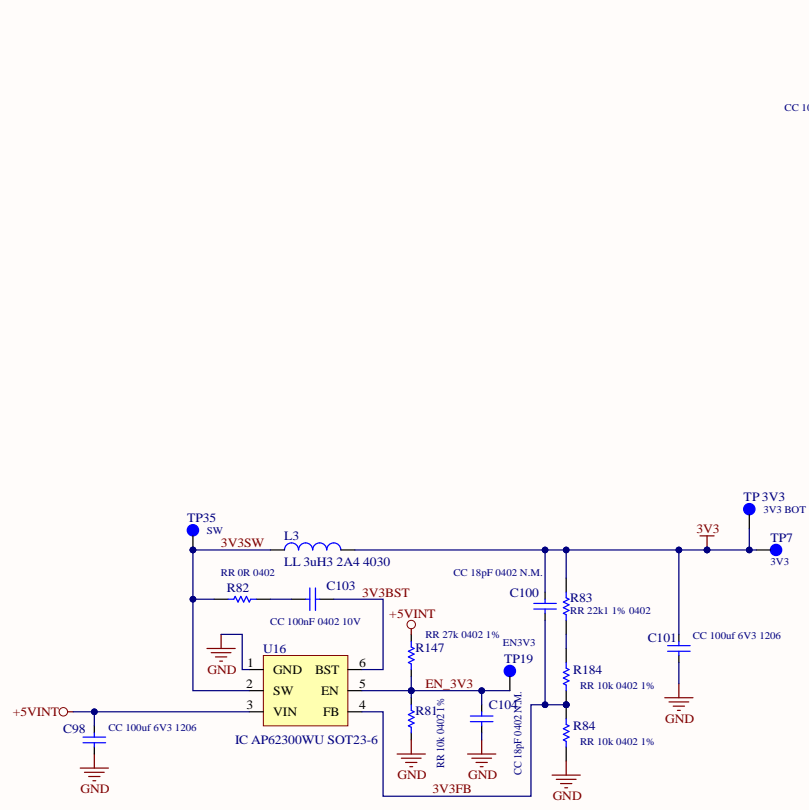




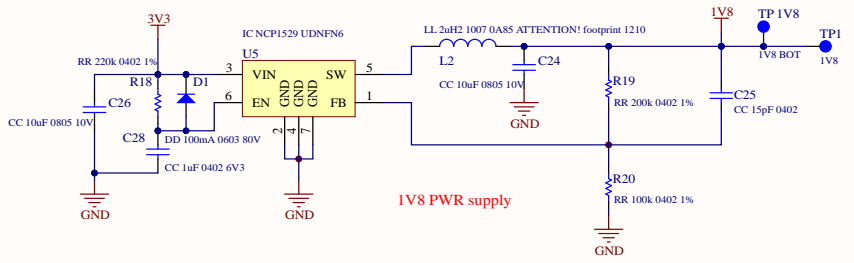
Title CM3-Panel-7_POE ✖		ACME SYSTEMS srl	
Size: A3	Number:	Revision: 4	www.acmesystems.it
Date: 20/01/2024	Time: 18:06:19	Sheet: 8	
File: Z:\Seafile\Seafile\Progetti\Amedeo\CM3_Panel7_4_Variant\COPY of CM3-Panel-7			







3V3 PWR supply supervisor



1V8 PWR supply